

Signature:

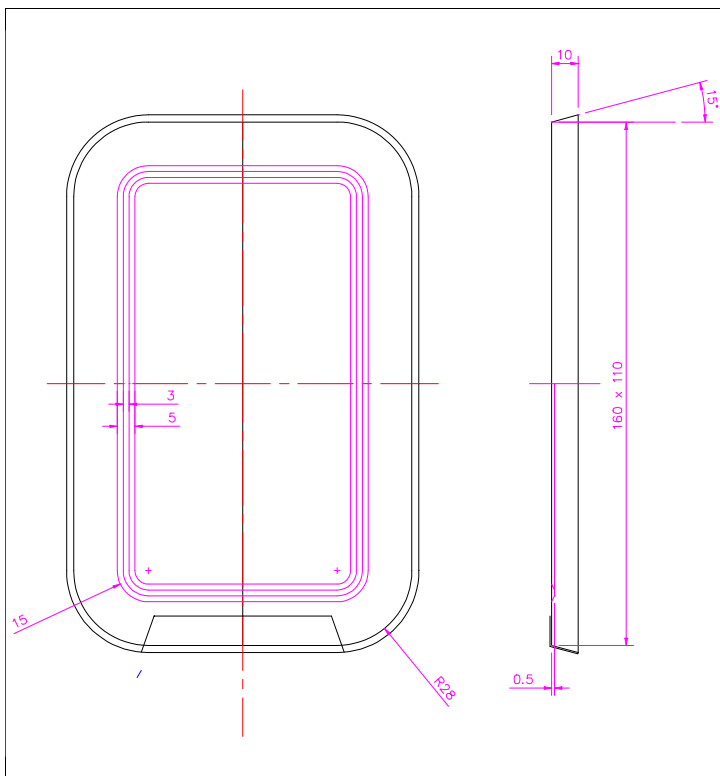
 Date:
Article No.:
Article name:

Material Data

Material:

(Ref. our materialguide on <http://www.pluspack.com>)
(The aluminium foil contains a food approved lubricate, the amount is depending on the shape and complexity of the container.)
Color:
Inside coating:
Outside coating:
Temperatures:
Other Features:
Foil thickness (gauge): *(gauge tolerance according to DIN/EN 546-3)*

Product drawing and dimensions


Shape:

Total Capacity: ml

Net Weight: (kg/1000)

EAN-code bag:
EAN-code carton:
EAN-code pallet:

Packing

Pieces per bag:
Pieces per carton:
Cartons per pallet:
Pieces per pallet:
Grossweight per carton: kg

Carton size outside: (lwh) mm mm mm

Height incl. pallet: cm

Weight per pallet: kg

Cartons per layer:
Layers per pallet:
Perforation:
Special Remarks:

	length/mm	width/mm
top out:	<input type="text" value="160"/>	<input type="text" value="110"/>
top in:	<input type="text" value="144"/>	<input type="text" value="94"/>
base:	<input type="text" value="0"/>	<input type="text" value="0"/>
depth:	<input type="text" value="0"/>	

Subject to change without prior notice.